

Network Video Recorder

NVR508-E-R Series



Key Features

- Support Ultra 265/H.265/H.264 video formats
- 64 channel input
- Support mainstream cameras of ONVIF conformance (Profile S, Profile G, Profile T) and RTSP protocols
- Support 2 HDMI and 2 VGA. VGA1 and HDMI1 simultaneous output, VGA2 and HDMI2 simultaneous output. VGA1/HDMI1 and VGA2/HDMI2 independent output
- Up to 32 Megapixels resolution recording
- 8 SATA HDDs, up to 16TB for each HDD
- Support N+1 Hot spare
- Support HDD hot swap with RAID 0, 1, 5, 6, 10 storage scheme configurable
- Redundant power supply optional
- ANR technology to enhance the storage reliability when the network is disconnected
- Support cloud upgrade

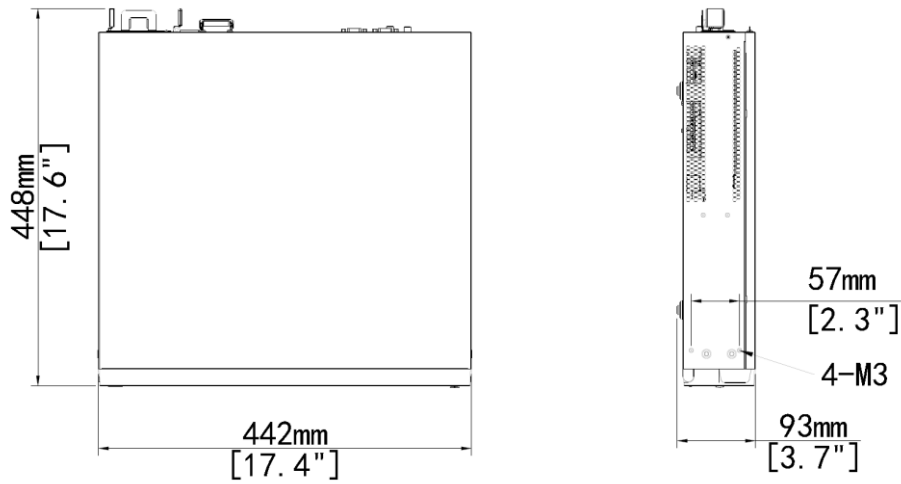
Specifications

Model	NVR508-64E-R	
Video/Audio Input		
IP Video Input	64-ch	
Audio Input	1-ch, RCA	
Network		

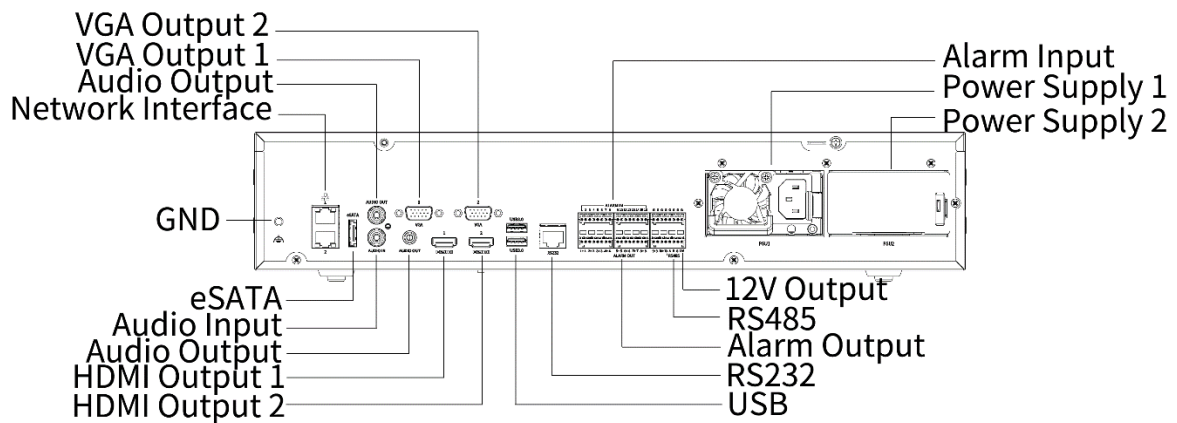
Incoming bandwidth	384Mbps
Outgoing bandwidth	384Mbps
Remote Users	128
Protocols	TCP/IP, P2P, UPnP, NTP, DHCP, PPPoE, HTTP, HTTPS, DNS, DDNS, SNMP, SMTP, NFS, RTSP, 802.1x, IPV6
Browser	IE(IE10/11) for Windows Firefox (version 52.0 and above) for Windows Chrome (version 45 and above) for Windows Edge(version 79 and above) for Windows
Video/Audio Output	
HDMI/VGA Output	HDMI1, HDMI2: 4K (3840x2160)@60, 4K (3840x2160)@30, 1920x1080p@60, 1920x1080p@50, 1600x1200@60, 1280x1024@60, 1280x720@60, 1024x768@60 VGA1, VGA2: 1920x1080p@60, 1920x1080p@50, 1600x1200@60, 1280x1024@60, 1280x720@60, 1024x768@60
Recording Resolution	32MP/16MP/12MP/8MP/6MP/5MP/4MP/3MP/1080p/960p/720p/D1/2CIF/CIF
Audio Output	2-ch, RCA
Two-way Audio	1-ch, RCA(Using the audio input and output)
Audio Compression	G.711A, G.711U
Synchronous Playback	16-ch
Live View Display	HDMI1, VGA1: 1/4/6/8/9/16/25/36/64 HDMI2, VGA2: 1/4/6/8/9/16/25/36
Corridor Mode Screen	3/4/5/7/9/10/12/16/32
Snapshot	
FTP/Schedule/Event Snapshot	16-ch snapshot, up to 1080P resolution
Decoding	
Decoding Format	Ultra 265/H.265/H.264
Live View/Playback	32MP/12MP/8MP/6MP/5MP/4MP/3MP/1080p/960p/720p/D1/2CIF/CIF
Capability	2 x 32MP@30, 4 x 16MP@30, 5 x 12MP@30, 8 x 4K@30, 16 x 4MP@30, 32 x 1080P@30, 54 x 960P@25, 72 x 720P@30, 128 x D1
Hard Disk	
SATA	8 SATA interfaces
Capacity	Up to 16TB for each disk
Disk Group	Support
Disk Array Type	RAID 0/1/5/6/10
Smart	
VCA Detection by Camera	Smart Intrusion Prevention (Classification and color identification of human and vehicle: Cross Line detection, Intrusion detection, Enter Area detection, Leave Area detection), Ultra Motion Detection(UMD), Temperature Detection(Fire Detection, Smoking Detection, Temperature Measurement, Smoke and Fire Detection), People Counting(People Flow Counting, Crowd Density Monitoring), Video Metadata, Traffic Monitoring

VCA Search	Motor Vehicle Search, Non-Motor Vehicle Search, Human Body Search, General Search, People Counting Report, Heat Map
People Counting	People Flow Counting, Crowd Density Monitoring
Smart Intrusion Prevention (SIP), Face Detection, Face Comparison, Vehicle Detection, UMD, Temperature Detection, Video Metadata, Traffic Monitoring by Camera	Total 16-ch
General Alarm	
General Alarm	Defocus Detection, Scene Change Detection, Object Left Behind, Object Removed, Auto Tracking, Motion, Tampering, Human Body Detection, Video Loss, Alarm Input, Audio Detection
Alert Alarm	IP Conflict, Network Disconnected, Disk Offline , Disk Abnormal, Illegal Access, Hard Disk Space Low, Hard Disk Full, Recording/Snapshot Abnormal
External Interface	
Network Interface	2 RJ-45 10M/100M/1000M self-adaptive Ethernet Interface
USB Interface	Front: 2 x USB2.0, Rear panel: 2 x USB3.0
eSATA	1
RS232	1
RS485	1
Alarm In	16-ch
Alarm Out	10-ch
Power Output	12V
General	
Power Supply	100~240V AC Power Consumption: ≤ 50W (without HDD)
Working Environment	-10°C~+ 55°C (+14°F~+131°F), Humidity ≤ 90% RH (non-condensing)
Dimensions (W×D×H)	442mm × 448mm × 93mm (17.4" × 17.6" × 3.7")
Certification	
Certification	CE, FCC, UL, RoHS, WEEE
CE	EN 55032, EN 61000-3-3, EN IEC 61000-3-2, EN 55035
FCC	Part15 Subpart B

Dimensions



Rear Panel



Zhejiang Uniview Technologies Co., Ltd.

No. 369, Xietong Road, Xixing Sub-district, Binjiang District, Hangzhou City, Zhejiang Province, China

Email: overseasbusiness@uniview.com; globalsupport@uniview.com

<http://www.uniview.com>

©2023 Zhejiang Uniview Technologies Co., Ltd. All rights reserved.

* Product specifications and availability are subject to change without notice.